

SPECIFICATIONS

ScreenCleaner

CONTENTS

1	ABOUT THE SPECIFICATIONS	2
2	GENERAL DESCRIPTION	3
3	FEATURES.....	3
4	COMPONENTS	3
5	MECHANICAL SPECIFICATIONS	4
6	USING ENVIRONMENT	5
7	PACKING SPECIFICATIONS.....	6
8	EAN/UPC CODE.....	6
9	REVISION TRACE.....	7



1 ABOUT THE SPECIFICATIONS

The specifications apply only to ScreenCleaner, screen cleaning kit for use in North American, European and Asian countries.

ScreenCleaner

All countries	SCALZZ
---------------	--------

The specifications contain copyrighted or original know-how. No part of these specifications may be reproduced or disclosed to the third party without the permission of EIZO NANA O CORPORATION.

If a situation is not specified in these specifications or a question about them arises, negotiations should be made between the customer and EIZO NANA O CORPORATION on the modification of specifications.

2 GENERAL DESCRIPTION

This product is intended to be used as a cleaning kit exclusively for the surface of CRT and LCD screens.

3 FEATURES

- Applicable for both CRT and LCD screens
- Dirt on a screen surface can be easily removed with the cleaning solvent and the cleaning cloth. This cleaner is supplied in an easy-to-use splay-type container.
- The cleaning kit comes with a hard case that allows for compact storage by a display.

4 COMPONENTS

ScreenCleaner includes the following five (5) items; a hard case, cleaning solvent, a cleaning solvent spray, cleaning cloth and a package.

4.1 Cleaning Solvent

Interior content: Approx. 28ml

Component: Surface-active agent

Components table

Component	Component ratio	Description
D- limonene	0.1%	Solvent
3-methyl 3-methoxy butanol	1.0%	Solvent
Quaternary ammonium salt	0.2%	Cation activator
P.O.P alky ether	0.1%	Nonionic activator, Solvent
P.O.E sorbitan alkylate	0.1%	Nonionic activator, Solubilizing agent
Paraben	0.1%	Preservative
Propylene glycol	2.0%	Lubricating agent
Ethanol	8.0%	Disinfectant, Solvent
Deionized water	88.4%	Deionized water
Total	100.0%	

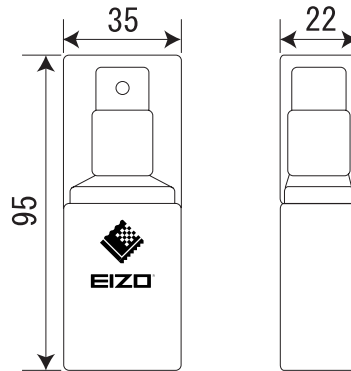
5 MECHANICAL SPECIFICATIONS

5.1 Configuration

NOTE: All of the dimensions, weights and angles below are reference values.

- **Cleaning Solvent Spray**

Dimensions (net)	35 mm (W) x 95 mm (H) x 22 mm (D) 1.4" (W) x 3.7" (H) x 0.9" (D)
Outline drawing	Refer to the below.

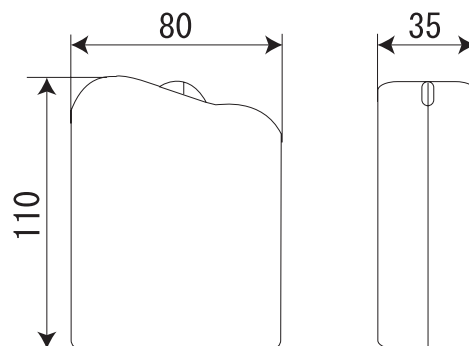


- **Cleaning Cloth**

Dimensions (net)	240mm x 240 mm 9.4" x 9.4"
------------------	-------------------------------

- **Hard case**

Dimensions (net)	80 mm (W) x 110 mm (H) x 35 mm (D) 3.1" (W) x 4.3" (H) x 1.4" (D)
Outline drawing	Refer to the below.

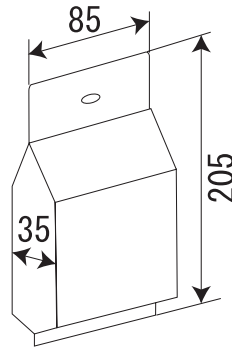


5.2 Packing Specifications

NOTE: All of the dimensions and weight below are reference values.

- Single Packing

Packing dimensions	85 mm (W) x 205 mm (H) x 35 mm (D) 3.3" (W) x 8.1" (H) x 1.4" (D)
Packaging weight	approx. 82 g (0.18 lbs)
Packaging drawing	Refer to the below.



- 10 units Packing

Packing dimensions	186 mm (W) x 124 mm (H) x 175 mm (D) 7.3" (W) x 4.9" (H) x 6.9" (D)
Packaging weight	approx. 1 kg (2.2 lbs)
Packaging drawing	Refer to page 7

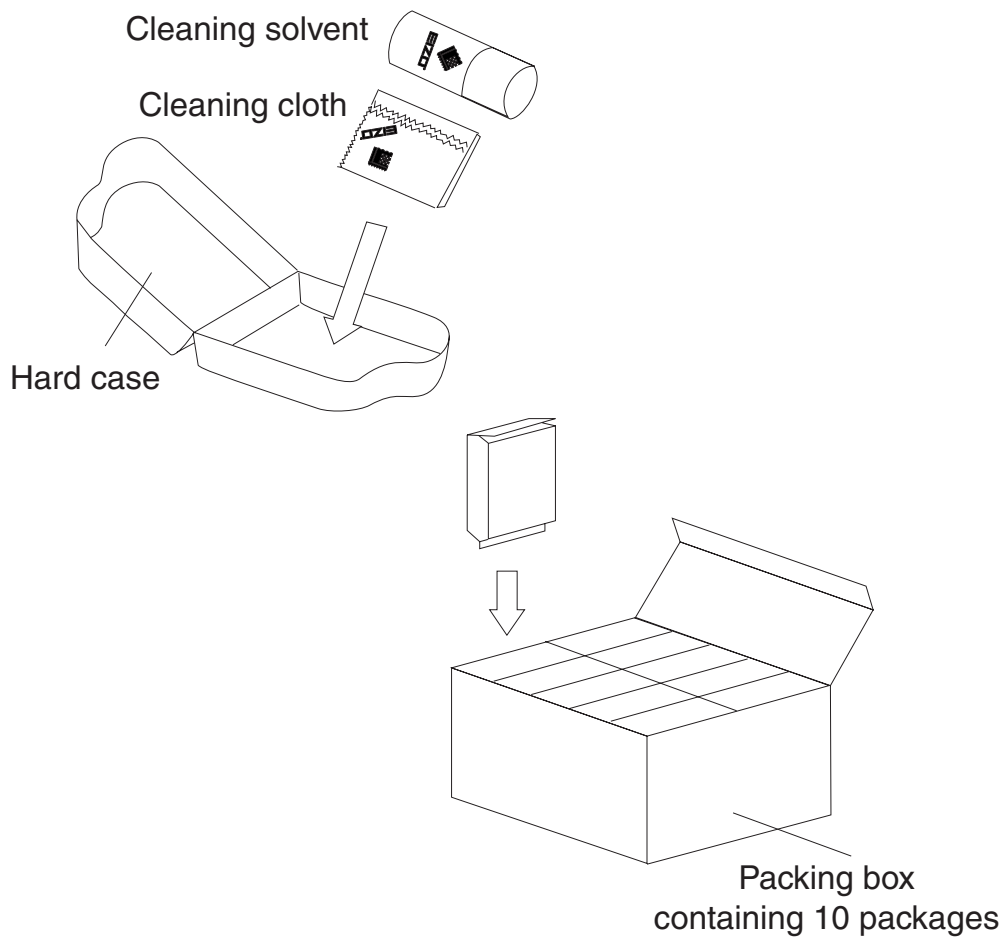
5.3 Materials

	Materials	Color
Cleaning Solvent Spray	Bottle: PVC Cap: Polypropylene	transparency
Cleaning Cloth		Brown (N117)
Hard case	Polypropylene	transparency
Single Packing	PET #12 / Dry / CPP#50	
Packing case of Single Packing (10 units Packing)	B-Flute K180xMM180xK180	Body/Brown Graphics, EIZO logo/Black

6 USING ENVIRONMENT

Item	Value	Conditions
Ambient Temperature	0 °C~35 °C (32 °F~95 °F)	Non condensing
Ambient Humidity	30 %~80 % R.H.	

7 PACKING SPECIFICATIONS



8 EAN/UPC CODE

EAN cord	UPC cord
4995047012306	690592005332

9 REVISION TRACE

No.	Date	Alternation
A	29 Sep. 2004	Established